



# AMP® Zero-Lead Wire SleekPro MR11 Downlight (Lamp Ready)

## Product Description

The AMP® SleekPro series of fixtures were designed for downlighting applications where compact, discreet fixtures are desired. Constructed of solid cast brass with an antique bronze finish for long-term durability and a lifetime of beauty. This Tri-Hub series version features a revolutionary hub mount built-in, which means no lead wire limitations – run one solid strand of cable directly to the fixture and cut to the exact length needed. The hub mount can also serve as an extra connection point for one additional fixture nearby. Easy installation with toolless adjustability of knuckle and a fully-adjustable glare guard for precision aiming. Customize the light output further by choosing the MR11 LED bulb best suited for your application.



## Specifications

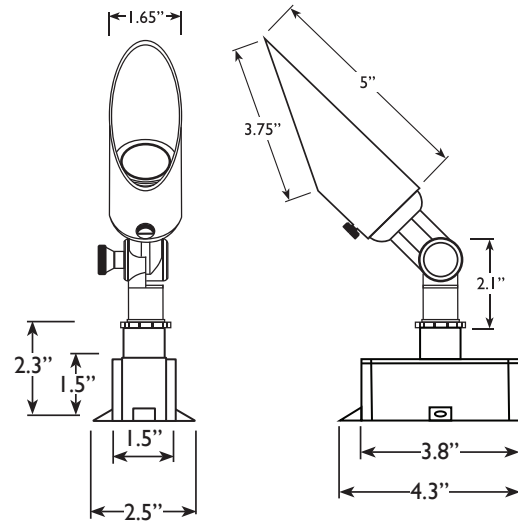
- **Construction:** Solid Cast Brass
- **Light Source:** LED MR11 (sold separately)
- **Lens:** Flat Clear Glass
- **Mounting:** Includes Hub Mount
- **Maximum Lamp Rating:** 20W
- **Operating Voltage Range:** 12V AC
- **Powered Supply:** AMP's Low Voltage Transformer

Item Number	Mount	Voltage	Max Lamp	Material
AAL-1035-0-B-BZ	Hub	12V AC	20W	Brass

## Features & Benefits

- Solid Brass Construction with Bronze finish
- Sealed to prevent moisture when used for up/down lighting
- Adjustable knuckle allows light to be precision aimed
- Strip resistant threading provides mounting stability
- Beryllium copper socket - more corrosion resistant
- Pre-aged finish; natural patina that does not corrode

## Product Dimensions



## Warranty

Residential: Lifetime Warranty  
Commercial: Lifetime Warranty

## Certifications



Specifications subject to change without notice.

©Copyright 2021, AMP® Lighting, Lutz FL 33549 - All rights reserved. Patents pending.

www.amplighting.com